

Electrical Information

WIRING DIAGRAM

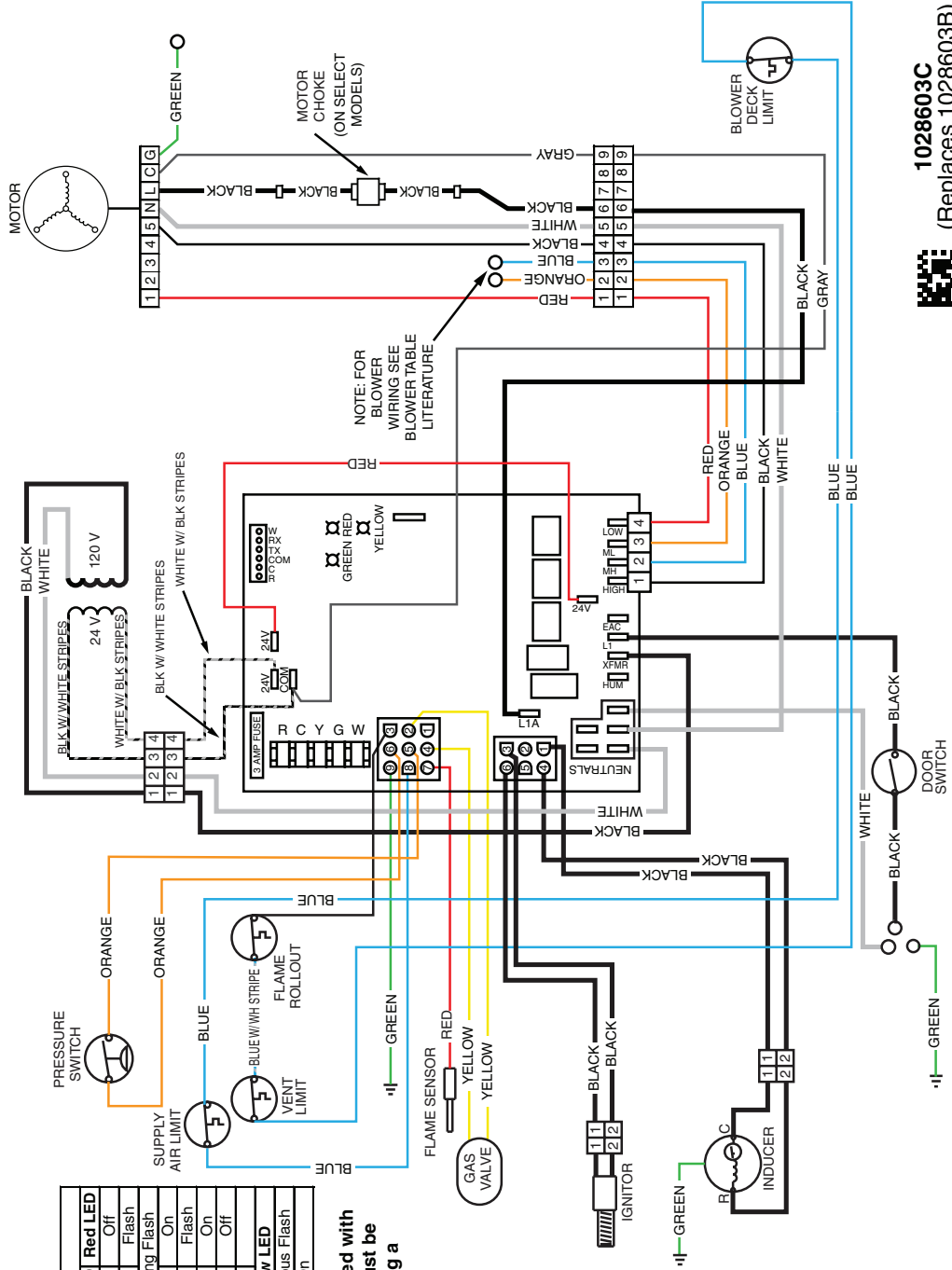
For 80+ and 90+ Single Stage Furnaces

Refer to the Installation Instructions provided with the furnace for the proper heating and cooling speeds for your application.

FAULT CONDITIONS			
Diagnostic Description	Green LED	Red LED	
Control Fault (No Power)	Off	Off	
L1 / Neutral Polarity Fault	Flash	Flash	
1 Hour Lockout	On	On	Alternating Flash
Normal Operation	On	On	
Pressure Switch Closed Fault	On	Flash	
Pressure Switch Open Fault	Flash	Flash	
Open Limit Switch Fault	Off	Off	
Diagnostic Description			
Low Flame Sensor Signal	Continuous Flash		
Flame Present	On		

If any of the original wire as supplied with the furnace must be replaced, it must be replaced with wiring material having a temperature of at least 105° C.

Use copper conductors only.



LEGEND:
 FIELD WIRING - - -
 LOW VOLTAGE - - -
 HIGH VOLTAGE ———

1028603C
 (Replaces 1028603B)
 01/20



