

RSG14**S1P

SPECIFICATIONS

Compressor

- High-efficiency scroll compressor
- R410A refrigerant
- Heavy-duty compressor sound blanket for quiet operation (optional accessory)
- Internally protected against high temperature motor overload conditions

Cabinet

- Full metal louvered construction to protect the coil/ hail protection
- Individual louver panels; for ease of coil cleaning and service
- Corner-mounted controls for easy service
- Baked polyester paint finished over galvanized steel for maximum durability

Coils

- Total corrosion protection technology designed coil
- Enhanced tube-and-fin coil design featuring MHT™ Technology
- Lanced fins for maximum heat transfer
- Every coil factory tested for leakproof construction
- Raised coil prevents debris from impeding airflow

Components

- Factory installed high pressure switch
- Thread-on pressure switches for simple, quick replacement
- Filter drier shipped loose for installation flexibility
- Fan shroud for smoother airflow and sound level reduction
- Charged for 15 feet of line set
- 45-degree offset valves for easy service

Comfort-Cire®

SPLIT AIR CONDITIONER SYSTEM

*14 SEER High Efficiency
Up to 15 SEER*



For the latest AHRI system matches,
please visit www.marsdeliversratings.com
or AHRIdirectory.org

Warranty—12 years on compressor, 6 years on parts
(Some limitations apply; see printed warranty for details.)

www.marsdelivers.com

MODEL NUMBER GUIDE

R	S	G	14	24	S	1	P
Residential Condenser	Split System	'Green' Gas R-410A	Minimum SEER	Capacity BTUH x 1000	S = Scroll Compressor	Power 1 = 208/230-1-60	Series/ Revision

PHYSICAL AND ELECTRICAL DATA

Model	Voltage/Hz/Phase	Voltage Range	Min. Circuit Amp.	Max. Over Current Device (amps)	Compressor		Outdoor Fan Motor		Shipping Weight (lbs.)
					Rated Load (amps)	Locked Rotor (amps)	Rated Load (amps)	Rated HP	
RSG1418S1P	208-230/60/1	197-253	11.9	20	9	48	0.7	1/10	134
RSG1424S1P	208-230/60/1	197-253	14.6	25	10.9	59	1	1/6	152
RSG1430S1P	208-230/60/1	197-253	17	25	12.8	68	1	1/6	169
RSG1436S1P	208-230/60/1	197-253	18	30	13.6	79	1	1/6	181
RSG1442S1P	208-230/60/1	197-253	23.4	40	17.9	112	1	1/6	211
RSG1448S1P	208-230/60/1	197-253	24.2	40	18	117	1.7	1/4	218
RSG1460S1P	208-230/60/1	197-253	29.6	50	22.2	128	1.8	1/3	226

Note:

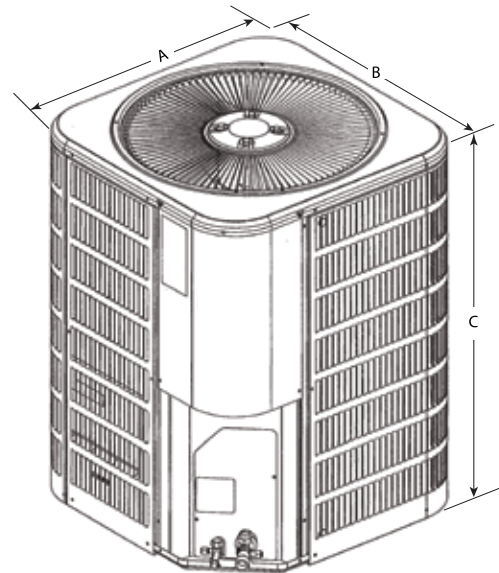
Weights listed are unit weights with packaging + Factory charged for 15 feet of line set. Adjust per installation instructions.

UNIT DIMENSIONS & SOUND RATINGS

Model	Dimensions (inch)			Shipping Weight (Lbs.)	Sound Rating (dBA)
	A - Width	B - Depth	C - Height		
RSG1418S1P	24-1/4	24-1/4	29	134	73
RSG1424S1P	28-1/4	28-1/4	29	154	76
RSG1430S1P	28-1/4	28-1/4	37	169	76
RSG1436S1P	28-1/4	28-1/4	29	181	76
RSG1442S1P	28-1/4	28-1/4	37	211	76
RSG1448S1P	28-1/4	28-1/4	37	218	78
RSG1460S1P	32-1/4	32-1/4	43	226	80

Note:

Dimensions listed are unit sizes w/o packaging



REFRIGERATION DATA

Model	Refrig. Charge (oz.) *	Refrigerant Line Size		Outdoor Unit Connection		Indoor Unit Connection	
		Suction	Suction	Suction	Suction	Suction	Liquid
RSG1418S1P	73	3/4	3/8	3/4	3/8	3/4	3/8
RSG1424S1P	73	3/4	3/8	3/4	3/8	3/4	3/8
RSG1430S1P	88	3/4	3/8	3/4	3/8	3/4	3/8
RSG1436S1P	113	7/8	3/8	7/8	3/8	7/8	3/8
RSG1442S1P	140	7/8	3/8	7/8	3/8	7/8	3/8
RSG1448S1P	156	7/8	3/8	7/8	3/8	7/8	3/8
RSG1460S1P	192	1 1/8	3/8	7/8 **	3/8	7/8	3/8

*Factory charged for 15 feet of line set

** Adapter shipped with unit

PERFORMANCE WITH COILS, AIR HANDLERS AND FURNACES

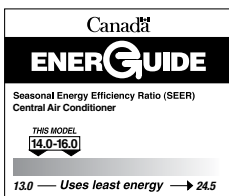
Outdoor Model	Indoor Model	TXV Kit Where Needed	Cooling			
	Evap. Coil Air Handlers ¹		SEER	EER	AHRI Capacity ²	AHRI Reference Numbers
RSG1418S1P	HMG24X1M		15	12.2	18,000	205415765
	HMG30X1M		15.5	13	18,000	205415766
	HMG24T1M		14	12.2	18,000	205415767
	HMG24F1P		14.5	12.5	18,000	203118200
	HMG24F1P+TXV	H4TXV01	14.5	12.5	18,000	205751642
	HCG24V1P		15.5	12.5	18,000	203118204
	HCG30V1P		15.5	12.5	18,000	203118205
24	HMG24F1P+TXV	H4TXV01	14.5	12.2	24,000	203118243
	HMG30F1P		14.25	12.2	24,000	203118244
	HMG30F1P+TXV	H4TXV01	14.5	12.5	24,000	205751644
	HCG24V1P		15.1	12.5	24,000	203118248
RSG1430S1P	HMG30F1P		14	12.2	28,400	203118370
	HMG30F1P+TXV	H4TXV01	14.25	12.2	28,400	205751643
	HMG36F1P		15	12.5	29,000	203118371
	HMG36F1P+TXV	H4TXV01	14.5	12.5	28,800	205751645
	HCG30V1P		15.5	12.5	29,000	203118374
RSG1436S1P	HMG36F1P		14.5	12.5	35,000	203120472
	HMG36F1P+TXV	H4TXV02	15.1	12.5	35,000	205751646
	HMG42T1M		15.1	12.5	34,000	205967740
	HMG42F1P		15.1	12.5	35,000	203120473
	HMG42F1P+TXV	H4TXV02	15.5	12.5	35,000	205751648
	HMG42X1P		16	13	35,000	203120475
	HCG36V1P		16	13	35,000	203120476
	HCG42V1P		16	13	35,000	203120477
RSG1442S1P	HMG42F1P		14.25	12.2	40,000	203118549
	HMG42F1P+TXV	H4TXV02	14.25	12.2	40,000	205751647
	HMG48F1P		15	12.5	40,000	203118550
	HMG48F1P+TXV	H4TXV02	15.1	12.5	40,000	205751651
	HMG42X1P		15.1	12.5	40,000	203118551
	HMG48X1P		15.1	12.5	40,000	203118552
	HCG42V1P		15.1	12.5	40,000	203118553
	HCG48V1P		15.5	12.5	40,000	203118554
RSG1448S1P	HMG48F1P		14.25	12.2	45,000	205751649
	HMG48F1P+TXV	H4TXV02	14.5	12.2	45,000	205751652
	HMG60F1P		14.25	12.2	45,000	205751653
	HMG60F1P+TXV	H4TXV02	14.5	12.2	45,000	205751654
	HCG48V1P		14.5	12.5	45,500	205751655
	HCG60V1P		15.1	12.5	45,500	205751656
	HMG48X1P		14.5	12.5	45,500	203118696
	HMG60X1P		15.1	12.5	45,500	203118697
60	HMG60F1P+TXV		14	11.7	57,000	203118813
	HCG60V1P		14	11.7	58,500	203118815
	HWC60X0A		14.5	11.8	57,000	203334660

Note: ¹ A blower time delay relay is required to achieve AHRI rating. This feature is standard on all furnaces and AH products

² Certified in accordance with Unitary Air Conditioner Certification Program, which is based on AHRI Standard 210/240

ACCESSORIES

Description	Where Used	Kit Number
Crankcase Heater	All Models	93M04
Hard Start Kit	18	10J42
	24, 30, 36, 41, 42, 47, 48, 59, 60	88M91
Low Ambient Kit	All Models	34M72
Short Cycle Protector	All Models	47J27
Freezestat	3/8 Tubing	93G35
Time Delay Relay	All Models	58M81
Loss Of Charge Kit	All Models	84M23 (Factory Installed)
Sound Blanket	18, 24, 30, 36, 41	14W00 (Factory Installed)
	42, 47, 48, 59, 60	14W01 (Factory Installed)



Due to ongoing product improvements, specifications and dimensions are subject to change and correction without notice or incurring obligations. Determining the application and suitability for use of any product is the responsibility of the installer. Additionally, the installer is responsible for verifying dimensional data on the actual product prior to beginning any installation preparations. Third party incentive and rebate programs have precise requirements as to product performance and certification. All products meet applicable regulations in effect on date of manufacture; however, certifications are not necessarily granted for the life of a product. Therefore, it is the responsibility of the applicant to determine whether a specific model qualifies for these incentive/rebate programs.

“This product complies with all California product labeling laws including, but not limited to, the Safe Drinking Water and Toxic Enforcement Act of 1986, more commonly known as Proposition 65.”