

FEATURES

- Available for cooling and heat pump applications
- All-aluminum tubes & fins
- Factory-sealed cabinet certified to achieve 2% or less leakage rate at 1.0 inch water column
- Multi-position Installation
- Horizontal and vertical condensate drain pans standard
- Blower and coil slide out for ease of maintenance
- Field Installed heater kits are optional: 5/7.5/10/15/20kW
- AHRI Listed & ETL Certified

MULTI-POSITION AIR HANDLER

PSC Motor

Cooling Capacity: 24 - 60 kBTU/h



Limited Warranty

5 years on unit parts. Unit cost replacement if heat exchanger, condenser coil, evaporator coil (packaged systems only), or compressor fails in the first year. With registration, 10 years on compressor and 20 years on heat exchanger.

(Limitations apply, see actual warranty for complete details.)

MODEL NUMBER GUIDE

| | | | | | | |
|-------------|----------------|------------|-------------------------|-----------|---------------------------|----------------|
| A | M | P | 24 | S | 1 | A |
| Air Handler | Multi-Position | PSC/Piston | Capacity BTUH x 1000 | SE Series | Power 1 = 208/230-1-60 | Revision Level |

SPECIFICATIONS

| | AMP24S1A | AMP36S1A | AMP48S1A | AMP60S1A |
|------------------------------------|-------------|-------------|-------------|-------------|
| NOMINAL RATING | | | | |
| Cooling (BTU/h) | 24,000 | 36,000 | 48,000 | 60,000 |
| ELECTRICAL DATA | | | | |
| Voltage / Phase(60Hz) | 208/230/1 | 208/230/1 | 208/230/1 | 208/230/1 |
| Min. / Max. Voltage | 187/253 | 187/253 | 187/253 | 187/253 |
| Min. Circuit Amps | 2.9 | 3.3 | 4.2 | 5.7 |
| Max. Overcurrent Protection | 15 | 15 | 15 | 15 |
| FAN MOTOR | | | | |
| Motor Type | PSC | PSC | PSC | PSC |
| Capacitor (uF) | 10 | 10 | 20 | 20 |
| Horsepower (HP) | 1/4 | 1/2 | 1/2 | 3/4 |
| Rated RPM | 903 | 865 | 925 | 990 |
| Full Load Amps (FLA) | 2.3 | 2.6 | 3.3 | 4.5 |
| FAN BLOWER | | | | |
| Material | Metal | Metal | Metal | Metal |
| Type | Centrifugal | Centrifugal | Centrifugal | Centrifugal |
| Diameter(in.) | 13 | 13 | 13 | 13 |
| Height(in.) | 10-5/8 | 10-5/8 | 10-5/8 | 10-5/8 |
| EVAPORATOR COIL | | | | |
| Type | Tube & Fin | Tube & Fin | Tube & Fin | Tube & Fin |
| Tube Material | Aluminum | Aluminum | Aluminum | Aluminum |
| Tube Size(in.) | 9/32 | 9/32 | 9/32 | 9/32 |
| REFRIGERANT CONNECTION SIZE | | | | |
| Liquid Line Size (O.D.) | 3/8 | 3/8 | 3/8 | 3/8 |
| Suction Line Size (O.D.) | 3/4 | 3/4 | 7/8 | 7/8 |

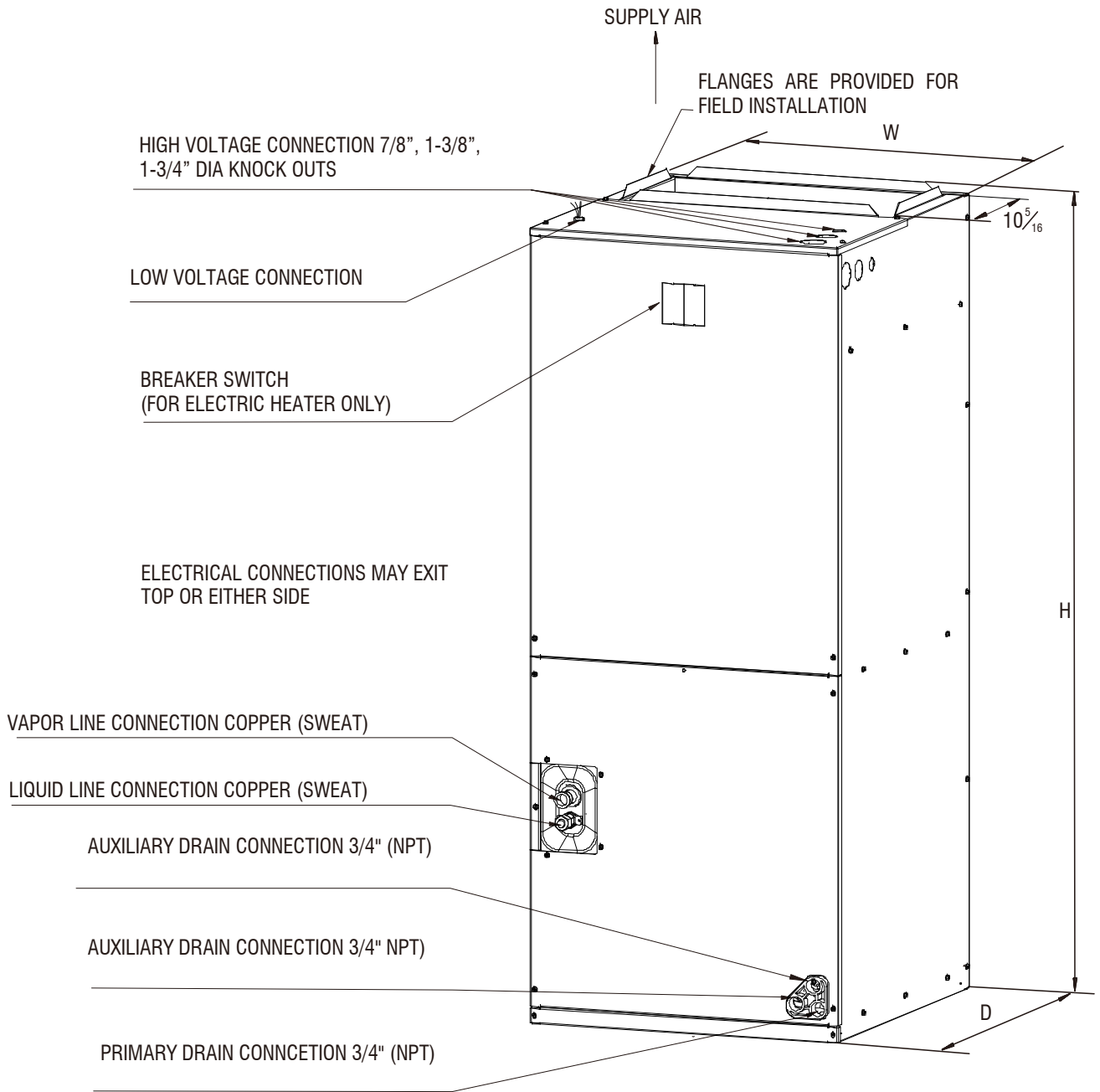
TXV KITS

| | Part# | Description | Used On |
|---------|------------|-------------|---|
| TXV Kit | TR6-3TONNB | 18-36K | MAA18(36,42)S1A, MAA3042S1A, MAA36(42,48,60)S1A, AMP36S1A, AMC24S1A, AMC36S1A, AMP48S1A |
| | TR6-4TON | 42-48K | MAA(18,30)42S1A, MAA36(48,60)S1A, MAA4260S1A, AMP48S1A, AMC36S1A, AMC60S1A |
| | TR6-5TON | 60K | MAA3660S1A, MAA4260S1A, AMP60S1A, AMC60S1A |



Comfort-Cure®

NOTE: 25" CLEARANCE IS REQUIRED IN THE FRONT OF THE UNIT FOR FILTER AND COIL MAINTENANCE.



UPFLOW CONFIGURATIONS SHOWN;
MAY BE INSTALLED UPFLOW, DOWNFLOW,
HORIZONTAL RIGHT OR LEFT.

| | AMP24S1A | AMP36S1A | AMP48S1A | AMP60S1A |
|-------------------------------|-----------------|-----------------|-----------------|-----------------|
| DIMENSIONS AND WEIGHTS | | | | |
| Height (in.) | 46-1/2 | 46-1/2 | 54-1/2 | 54-1/2 |
| Width (in.) | 19-5/8 | 19-5/8 | 22 | 22 |
| Depth (in.) | 21-5/8 | 21-5/8 | 24 | 24 |
| Weight (lbs.) | 128 | 128 | 159 | 161 |

AIR FLOW DATA

| Air Handler Model | Outdoor Unit Size(Tons) | Motor Speed | | CFM Wet Coil without filter and Electric Heat | | | | | | | | |
|-------------------|-------------------------|-------------|-----------|---|-----------|-----------|-----------|------------|------------|------------|------------|------------|
| | | | | External Static Pressure-Inches W.C.[kPa] | | | | | | | | |
| | | | | 0[0] | 0.1[.025] | 0.2[.050] | 0.3[.075] | 0.4[0.100] | 0.5[0.125] | 0.6[0.150] | 0.7[0.175] | 0.8[0.200] |
| AMP24S1A | 2 | Low | CFM | 999 | 953 | 905 | 847 | 757 | 681 | 610 | 543 | 411 |
| | | | Watts | 316 | 310 | 306 | 302 | 288 | 279 | 270 | 256 | 240 |
| | | | Current/A | 1.38 | 1.36 | 1.34 | 1.32 | 1.28 | 1.24 | 1.21 | 1.16 | 1.1 |
| | | Medium | CFM | 1176 | 1127 | 1086 | 1028 | 944 | 842 | 746 | 668 | 569 |
| | | | Watts | 342 | 336 | 334 | 326 | 315 | 303 | 292 | 281 | 266 |
| | | | Current/A | 1.49 | 1.47 | 1.45 | 1.42 | 1.38 | 1.33 | 1.29 | 1.25 | 1.19 |
| | | High | CFM | 1409 | 1359 | 1306 | 1253 | 1192 | 1108 | 986 | 870 | 743 |
| | | | Watts | 456 | 446 | 438 | 429 | 419 | 404 | 384 | 368 | 348 |
| | | | Current/A | 2.01 | 1.96 | 1.93 | 1.9 | 1.86 | 1.8 | 1.73 | 1.67 | 1.61 |
| AMP36S1A | 2.5 | Low | CFM | 1028 | 985 | 930 | 859 | 781 | 712 | 649 | 571 | 468 |
| | | | Watts | 362 | 353 | 345 | 335 | 323 | 313 | 303 | 290 | 276 |
| | | | Current/A | 1.64 | 1.62 | 1.6 | 1.57 | 1.54 | 1.51 | 1.49 | 1.45 | 1.42 |
| | | Medium | CFM | 1315 | 1266 | 1208 | 1146 | 1065 | 981 | 866 | 775 | 686 |
| | | | Watts | 406 | 399 | 392 | 385 | 372 | 361 | 344 | 331 | 320 |
| | | | Current/A | 1.82 | 1.8 | 1.78 | 1.75 | 1.72 | 1.69 | 1.65 | 1.62 | 1.59 |
| | | High | CFM | 1532 | 1478 | 1421 | 1347 | 1284 | 1184 | 1082 | 932 | 805 |
| | | | Watts | 524 | 513 | 502 | 491 | 478 | 462 | 446 | 423 | 407 |
| | | | Current/A | 2.39 | 2.36 | 2.34 | 2.31 | 2.28 | 2.23 | 2.2 | 2.14 | 2.11 |
| AMP36S1A | 3 | Low | CFM | 1028 | 985 | 930 | 859 | 781 | 712 | 649 | 571 | 468 |
| | | | Watts | 362 | 353 | 345 | 335 | 323 | 313 | 303 | 290 | 276 |
| | | | Current/A | 1.64 | 1.62 | 1.6 | 1.57 | 1.54 | 1.51 | 1.49 | 1.45 | 1.42 |
| | | Medium | CFM | 1315 | 1266 | 1208 | 1146 | 1065 | 981 | 866 | 775 | 686 |
| | | | Watts | 406 | 399 | 392 | 385 | 372 | 361 | 344 | 331 | 320 |
| | | | Current/A | 1.82 | 1.8 | 1.78 | 1.75 | 1.72 | 1.69 | 1.65 | 1.62 | 1.59 |
| | | High | CFM | 1532 | 1478 | 1421 | 1347 | 1284 | 1184 | 1082 | 932 | 805 |
| | | | Watts | 524 | 513 | 502 | 491 | 478 | 462 | 446 | 423 | 407 |
| | | | Current/A | 2.39 | 2.36 | 2.34 | 2.31 | 2.28 | 2.23 | 2.2 | 2.14 | 2.11 |
| AMP48S1A | 3.5 | Low | CFM | 1336 | 1310 | 1282 | 1234 | 1182 | 1140 | 1049 | 925 | 833 |
| | | | Watts | 492 | 483 | 474 | 463 | 452 | 443 | 422 | 393 | 374 |
| | | | Current/A | 2.24 | 2.22 | 2.17 | 2.13 | 2.1 | 1.93 | 2.03 | 1.9 | 1.87 |
| | | Medium | CFM | 1654 | 1610 | 1569 | 1510 | 1461 | 1394 | 1350 | 1265 | 1034 |
| | | | Watts | 550 | 537 | 526 | 512 | 503 | 489 | 475 | 458 | 416 |
| | | | Current/A | 2.4 | 2.38 | 2.35 | 2.32 | 2.3 | 2.18 | 2.16 | 2.08 | 2.04 |
| | | High | CFM | 1918 | 1875 | 1817 | 1771 | 1715 | 1651 | 1584 | 1511 | 1395 |
| | | | Watts | 717 | 703 | 686 | 670 | 652 | 635 | 617 | 600 | 570 |
| | | | Current/A | 3.2 | 3.18 | 3.14 | 3.1 | 3.04 | 3 | 2.9 | 2.87 | 2.85 |

NOTE:

--- Shaded boxes represent airflow outside the required 300-450 cfm/ton, which are not recommended.

AIR FLOW DATA CONT.

| Air Handler Model | Outdoor Unit Size(Tons) | Motor Speed | | CFM Wet Coil without filter and Electric Heat | | | | | | | | |
|-------------------|-------------------------|-------------|-----------|---|-----------|-----------|-----------|------------|------------|------------|------------|------------|
| | | | | External Static Pressure-Inches W.C.[kPa] | | | | | | | | |
| | | | | 0[0] | 0.1[.025] | 0.2[.050] | 0.3[.075] | 0.4[0.100] | 0.5[0.125] | 0.6[0.150] | 0.7[0.175] | 0.8[0.200] |
| AMP48S1A | 4 | Low | CFM | 1336 | 1310 | 1282 | 1234 | 1182 | 1140 | 1049 | 925 | 833 |
| | | | Watts | 492 | 483 | 474 | 463 | 452 | 443 | 422 | 393 | 374 |
| | | | Current/A | 2.24 | 2.22 | 2.17 | 2.13 | 2.1 | 1.93 | 2.03 | 1.9 | 1.87 |
| | | Medium | CFM | 1654 | 1610 | 1569 | 1510 | 1461 | 1394 | 1350 | 1265 | 1034 |
| | | | Watts | 550 | 537 | 526 | 512 | 503 | 489 | 475 | 458 | 416 |
| | | | Current/A | 2.4 | 2.38 | 2.35 | 2.32 | 2.3 | 2.18 | 2.16 | 2.08 | 2.04 |
| | | High | CFM | 1918 | 1875 | 1817 | 1771 | 1715 | 1651 | 1584 | 1511 | 1395 |
| | | | Watts | 717 | 703 | 686 | 670 | 652 | 635 | 617 | 600 | 570 |
| | | | Current/A | 3.2 | 3.18 | 3.14 | 3.1 | 3.04 | 3 | 2.9 | 2.87 | 2.85 |
| AMP60S1A | 5 | Low | CFM | 1726 | 1693 | 1655 | 1637 | 1584 | 1500 | 1421 | 1328 | 1217 |
| | | | Watts | 678 | 658 | 639 | 619 | 602 | 576 | 553 | 526 | 495 |
| | | | Current/A | 2.95 | 2.87 | 2.78 | 2.69 | 2.62 | 2.52 | 2.42 | 2.31 | 2.18 |
| | | Medium | CFM | 1983 | 1933 | 1879 | 1828 | 1760 | 1685 | 1597 | 1507 | 1403 |
| | | | Watts | 695 | 675 | 655 | 635 | 615 | 596 | 574 | 550 | 522 |
| | | | Current/A | 3.02 | 2.93 | 2.85 | 2.76 | 2.67 | 2.59 | 2.5 | 2.4 | 2.28 |
| | | High | CFM | 2138 | 2086 | 2024 | 1952 | 1873 | 1797 | 1722 | 1646 | 1516 |
| | | | Watts | 793 | 773 | 751 | 726 | 702 | 679 | 658 | 638 | 604 |
| | | | Current/A | 3.45 | 3.7 | 3.27 | 3.17 | 3.06 | 2.97 | 2.88 | 2.79 | 2.65 |

NOTE:

--- Shaded boxes represent airflow outside the required 300-450 cfm/ton, which are not recommended.

ELECTRIC HEATER KITS

| NO. | Kit | Description | Ref.Air Handler Use |
|-----|-------------|---------------------------------------|---------------------|
| 1 | EHK-05A(UL) | 5kW Heat Strip | 24/36/48/60 |
| 2 | EHK-08A(UL) | 7.5kW Heat Strip | 24/36/48/60 |
| 3 | EHK-10A(UL) | 10kW Heat Strip | 24/36/48/60 |
| 4 | EHK-15B(UL) | 15kW Heat Strip, double Breaker panel | 36/48/60 |
| 5 | EHK-20B(UL) | 20kW Heat Strip, double Breaker panel | 36/48/60 |



HEATER KITS

| Model | Air Handler Capacity (kBTU/h) | Electric Heat(kW) | Min. Circuit Ampacity | | Max. Fuse or Breaker (HACR) Ampacity | | Blower Speed | | |
|-----------------|-------------------------------|-------------------|-----------------------|-----------|--------------------------------------|-------|--------------|---|---|
| | | | 240V | 208V | 240V | 208V | 1 | 2 | 3 |
| AMP24S1A | | | | | | | | | |
| EHK-05A(UL) | 24 | 5 | 29 | 25.5 | 30 | 30 | x | • | • |
| EHK-08A(UL) | | 7.5 | 42 | 36.8 | 45 | 40 | • | • | • |
| EHK-10A(UL) | | 10 | 55 | 48.1 | 60 | 50 | x | • | • |
| AMP36S1A | | | | | | | | | |
| EHK-05A(UL) | 36 | 5 | 29.4 | 25.9 | 30 | 30 | • | • | • |
| EHK-08A(UL) | | 7.5 | 42.4 | 37.2 | 45 | 40 | • | • | • |
| EHK-10A(UL) | | 10 | 55.4 | 48.5 | 60 | 50 | • | • | • |
| EHK-15B(UL) | | 15 | 55.4/26.1 | 48.5/22.6 | 60/30 | 50/25 | • | • | • |
| EHK-20B(UL) | | 20 | 55.4/52.1 | 48.5/45.2 | 60/60 | 60/50 | • | • | • |
| AMP48S1A | | | | | | | | | |
| EHK-05A(UL) | 48 | 5 | 30.3 | 26.8 | 35 | 30 | x | x | • |
| EHK-08A(UL) | | 7.5 | 43.3 | 38.1 | 45 | 40 | x | x | • |
| EHK-10A(UL) | | 10 | 56.3 | 49.4 | 60 | 50 | x | x | • |
| EHK-15B(UL) | | 15 | 56.3/26.1 | 49.4/22.6 | 60/30 | 50/25 | x | x | • |
| EHK-20B(UL) | | 20 | 56.3/52.1 | 49.4/45.2 | 60/60 | 50/50 | x | x | • |
| AMP60S1A | | | | | | | | | |
| EHK-05A(UL) | 60 | 5 | 31.8 | 28.3 | 35 | 30 | • | • | • |
| EHK-08A(UL) | | 7.5 | 44.8 | 39.6 | 45 | 40 | • | • | • |
| EHK-10A(UL) | | 10 | 57.8 | 50.9 | 60 | 60 | • | • | • |
| EHK-15B(UL) | | 15 | 57.8/26.1 | 50.9/22.6 | 60/30 | 60/25 | • | • | • |
| EHK-20B(UL) | | 20 | 57.8/52.1 | 50.9/45.2 | 60/60 | 60/50 | • | • | • |

NOTE: Heat kit suitable for AHU 4-way position installation.
Ampacities for MCA and Fuse/breaker including the blower motor.

Due to ongoing product improvements, specifications and dimensions are subject to change and correction without notice or incurring obligations. Determining the application and suitability for use of any product is the responsibility of the installer. Additionally, the installer is responsible for verifying dimensional data on the actual product prior to beginning any installation preparations.

Third party incentive and rebate programs have precise requirements as to product performance and certification. All products meet applicable regulations in effect on date of manufacture; however, certifications are not necessarily granted for the life of a product. Therefore, it is the responsibility of the applicant to determine whether a specific model qualifies for these incentive/rebate programs.

“This product complies with all California product labeling laws including, but not limited to, the Safe Drinking Water and Toxic Enforcement Act of 1986, more commonly known as Proposition 65.”