



# Submittal Data

## A-VMH12SU-1 Outdoor Unit

Project Name:	
Location:	
Engineer:	
Submitted to:	
Submitted by:	
Reference:	

Approval:	
Date:	
Construction:	
Unit #:	
Drawing #:	

Outdoor code	
Outdoor unit factory model	
Model	VMH12SU-1
Indoor	B-VMH12SU-1
Outdoor	A-VMH12SU-1



### PERFORMANCE DATA

Power supply	Ph-V-Hz	
<b>Cooling</b>		
Capacity	Btu/h	12000
Input	W	960
Rated current	A	4.2
EER	Btu/w	12.5
SEER	Btu/w	22.5
<b>Heating</b>		
Capacity	Btu/h	11800
Input	W	1475
Rated current	A	4.2
COP	W/W	3.61
HSPF4		11.2
HSPF5		8.6
Heating at 17°	Btu/w	
Heating at 5 F (-15°C)	Btu/w	12010
MINIMUM CIRCUIT AMPACITY	A	12
MAX.FUSE	A	15

### Compressor Electrical

Model		ATM115D43UFZ2
Type		ROTARY
Brand		GMCC
Capacity	Btu/h	11430
Input	W	870
Rated current(RLA)	A	6.15
Coil Treatment		
Thermal protector position		
Refrigerant oil/oil charge	ml	ESTER OIL VG74 / 500
Connection wiring		14/4 STRANDED

### Outdoor fan motor

Model		ZKFN-40-8-1L
Brand		Welling
Input	W	40 (output)
RLA	A	0.38
LRA	A	
Winding Resistance	Ω	
Capacitor	uF	
Speed	r/min	810/700/450

### Ambient temperature

Outdoor(cooling)	Deg. F	
------------------	--------	--

### Air flow & Noise level

Outdoor air flow	CFM	1180
Outdoor noise level	dB(A)	58.5

### Outdoor unit

Dimension(W*D*H)	inch	31.50x13.11x21.81
Packing (W*D*H)	inch	36.22x15.35x24.21
Net/Gross weight	lbs.	88.2/93.7

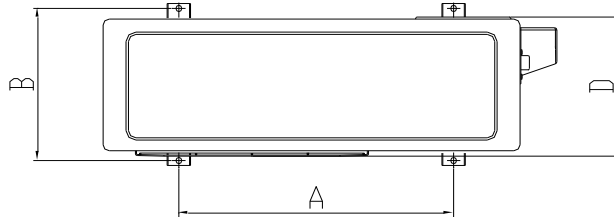
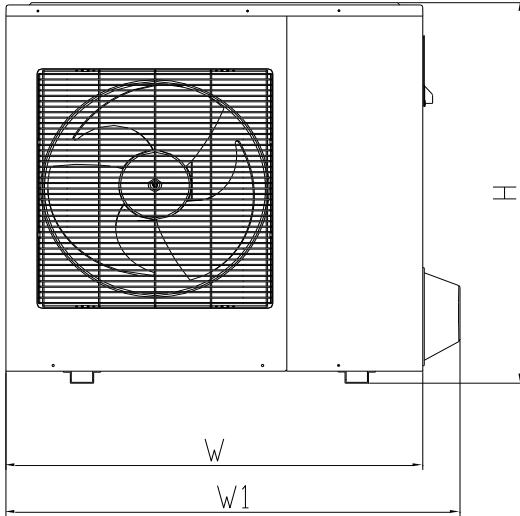
### SYSTEM DATA

Design pressure	PSIG	550/340
Refrigerant type	oz	R410A
Refrigerant precharge	ft	52.9
Additional charge per ft.	oz	0.161
Liquid side/ Gas side	mm(in)	Φ6.35/Φ12.7(1/4"/1/2")
Max. length	ft	82
Max. height difference	ft	33

<b>Thermostat type</b>		Remote control
------------------------	--	----------------

# Submittal Data

## A-VMH12SU-1 Outdoor Unit



### Accessories

- 93640 Mini-Split Bracket 260lb. Limit
- 93641 Mini-Split Bracket 330lb. Limit
- 93642 Mini-Split Bracket 400lb. Limit
- 93540 Mini-Split Pad 18" x 38" x 3"

Model	W (inch)	D (inch)	H (inch)
A-VMH12SU-1	31.5	13.11	21.81
		A (inch)	B (inch)
		20.24	13.39

### Performance Data

Model	Cooling		Outdoor conditions (DB)											
	DB	WB	-4F (-20C)	0F (-17C)	5F (-15C)	17F (-8C)	47F (8C)	77F (25C)	86F (30C)	95F (35C)	104F (40C)	113F (45C)	122F (50C)	
12 (208-230V)	69.8F (21C)	59F (15C)	TC	10.79	11.78	11.77	11.13	9.13	12.36	12.58	11.57	9.37	8.95	7.76
			SC	8.15	8.7	8.56	8.25	7.47	10.51	10.69	9.83	7.96	7.61	6.60
			Input	0.64	0.6	0.58	0.66	0.9	0.95	0.93	1.21	1.04	0.95	0.90
	75.2F (24C)	62.6F (17C)	TC	12.63	12.44	12.37	11.93	9.71	12.82	13.04	12.03	9.83	9.41	8.22
			SC	9.35	9.46	9.18	8.97	8.12	10.90	11.08	10.23	8.36	8.00	6.99
			Input	0.57	0.63	0.62	0.7	0.94	0.93	1.14	1.42	1.25	1.16	1.11
	80.6F (27C)	66.2F (19C)	TC	12.92	12.68	12.74	12.13	12.43	13.34	13.45	13.21	11.70	10.32	9.02
			SC	9.7	9.56	9.52	9.24	9.56	11.34	11.43	12.25	9.95	8.77	7.67
			Input	0.59	0.64	0.63	0.72	0.92	1.14	1.35	1.63	1.46	1.37	1.32
	89.6F (32C)	73.4F (23C)	TC	12.73	13.89	13.49	12.64	10.58	13.84	13.95	13.82	12.20	10.82	9.52
			SC	9.81	9.86	9.62	9.28	8.74	11.76	11.86	12.67	10.37	9.20	8.09
			Input	0.65	0.63	0.67	0.73	1.01	1.35	1.56	1.84	1.67	1.58	1.53
Model	Heating		Outdoor conditions (DB)											
	Indoor Conditions DB		-13F (-25C)	-4F (-20C)	0F (-17C)	5F (-15C)	17F (-8C)	19.4F (-7C)	24.8F (-4C)	32F (0C)	39.2F (4C)	44.6F (7C)	53.6F (12C)	
12 (208-230V)	59F (15C)	59F (15C)	TC	9.22	10.20	11.02	12.37	15.03	15.26	15.52	14.21	15.29	15.82	17.32
			Input	1.75	17.20	1.73	1.71	1.69	1.65	1.58	1.52	1.43	1.32	1.18
			COP	1.54	0.17	1.87	2.12	2.61	2.71	2.88	2.74	3.13	3.51	4.30
	64.4F (18C)	64.4F (18C)	TC	9.12	10.02	10.98	12.19	14.31	14.76	14.89	14.11	14.93	15.40	16.45
			Input	1.78	1.75	1.76	1.74	1.72	1.68	1.61	1.55	1.46	1.35	1.21
			COP	1.50	1.68	1.83	2.05	2.44	2.57	2.71	2.67	3.00	3.34	3.98
	69F (20.5C)	69F (20.5C)	TC	9.02	9.82	11.81	12.01	13.58	14.25	14.26	14.01	14.56	14.98	15.57
			Input	1.82	1.81	1.77	1.78	1.76	1.72	1.65	1.59	1.50	1.39	1.25
			COP	1.45	1.59	1.96	1.98	2.26	2.43	2.53	2.58	2.84	3.16	3.65
	71.6F (22C)	71.6F (22C)	TC	8.88	9.62	11.74	12.00	13.08	13.75	13.76	13.51	14.06	14.48	15.07
			Input	1.91	1.90	1.88	1.87	1.85	1.81	1.74	1.68	1.59	1.48	1.34
			COP	1.36	1.48	1.83	1.88	2.07	2.23	2.32	2.36	2.59	2.87	3.30